



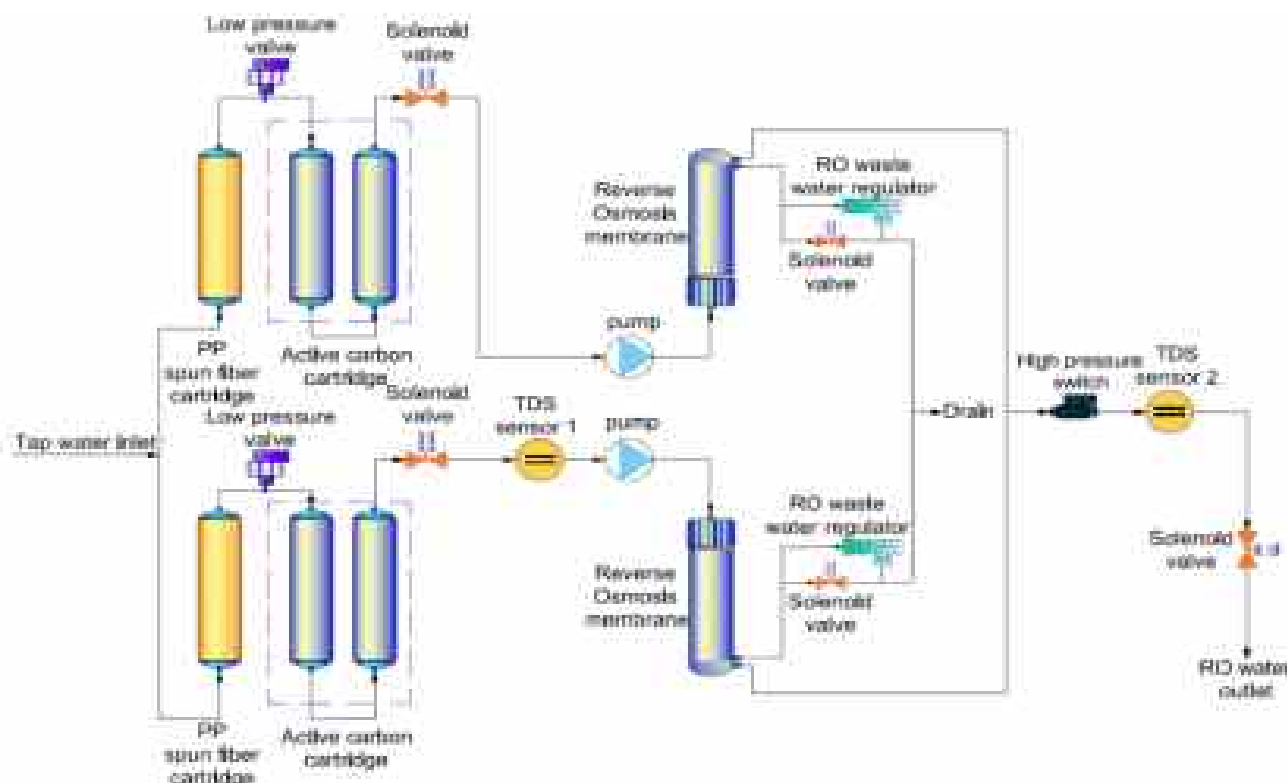
# Medium-1600 series Reverse osmosis water system (Tap water inlet)

- Medium-1600 series is nearly the smallest water system, with the same output-250 liters/hour. It meets the requirements of water for production and central water supply.
- Medium-1600RO is single stage RO water system, with LCD controlling system, 2 way water quality sensor, timing and quality dispensing, stainless steel shell. The single stage RO water's ion rejection rate is more than 96% (new RO membrane), organic rejection rate >99% (when mw > 200 Dalton), particles and bacteria rejection rate >99%. It is suitable for glassware washing and general grade experiments.

## ◆ Features And Advantages

Medium-1600	The voltage is only DC24V, lower than human safe voltage(DC36V)
	2 sets 800 GPD pure water system, independent operation. If one was broken, the other also runs
	Working pressure of RO membrane < 70PSI (4.9kgf/cm <sup>2</sup> ), assure safety
	Floor space is only 0.5m <sup>2</sup> , save more room for laboratory
Competitive product	The voltage is above of AC380V/220V, dangerous for operator
	Only one system work. If going wrong, the machine could not work anymore
	Working pressure of RO membrane > 225PSI (15kgf/cm <sup>2</sup> ), dangerous for operator
	The floor space is very large, waste the room of laboratory

## ◆ Flow Schematic





## ◆ Specifications

Model	Medium-1600RO
Output(25°C)*	250 liters/hour
Pure water outlet	1: reverse osmosis water
RO water quality	
Ion rejection rate	96%-99% (new RO membrane)
Organic rejection rate	>99%, when MW>200 Dalton
Particles and bacteria , rejection rate	>99%
Bacteria	<0.1cfu/ml (with optional 0.2µm PES terminal filter)
Particle(>0.2µm)	<1/ml (with optional 0.2µm PES terminal filter)
Feed water requirements	Tap water, temperature:5-45°C, pressure:1.0-4.0Kgf/cm <sup>2</sup>
Dimension and weight	Length×Width×Height:760×550×1210mm / Weight: about 80Kg
Electrical requirements	AC110-240V, 50/60Hz
Power	480W
Standard configuration	Main body (Including 1 set of cartridge)

### Remarks:

\*The value will be influenced by temperature and feed water's quality.



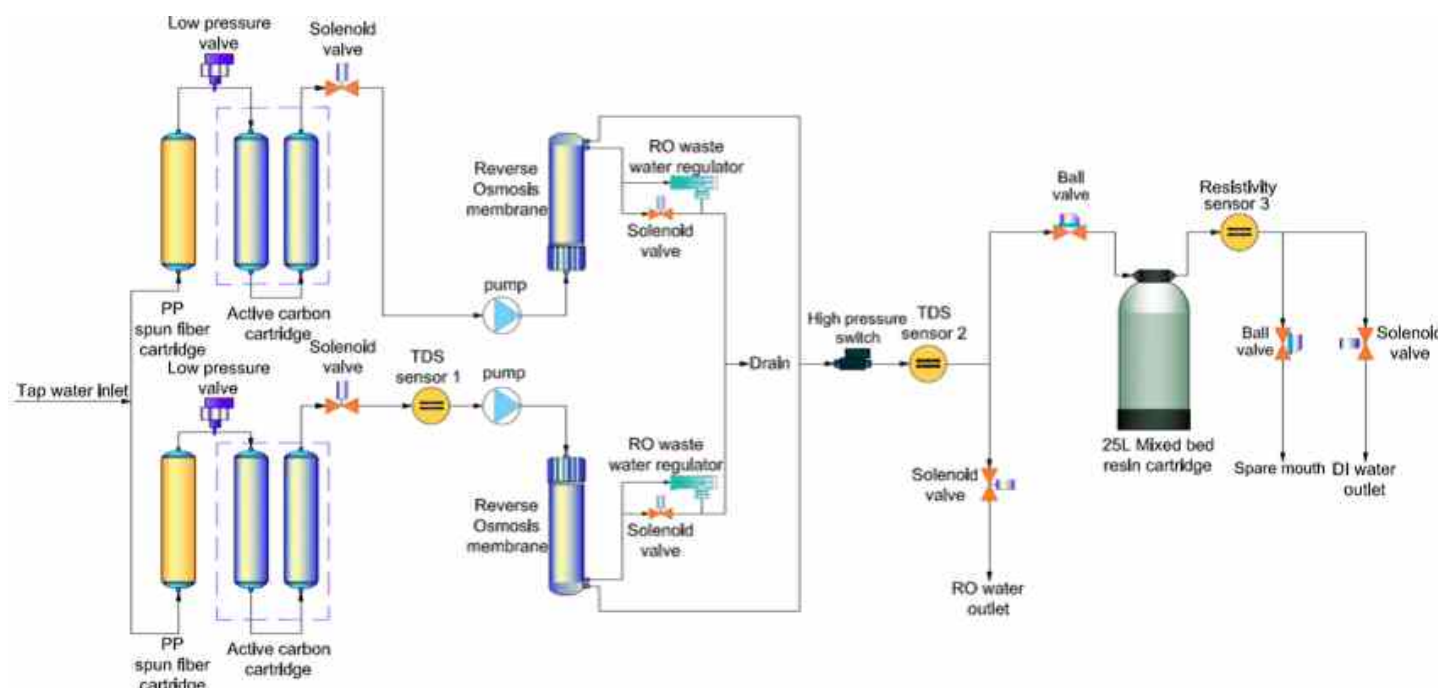
# Medium-1600Q series Deionized water system (Tap water inlet)

- Medium-1600 series is nearly the smallest water system, with the same output-250 liters/hour. It meets the requirements of water for production and central water supply.
- Medium-1600Q is deionized water system, with LCD controlling system, 2 way water quality sensor, timing and quality dispensing, stainless steel shell. The single stage RO water's ion rejection rate is more than 96%, and the deionized water's resistivity is more than 10MΩ.cm, near to 18.2MΩ.cm. It completely meets the requirements of general chemical or biological experiments for pure water.

## ◆ Features And Advantages

Medium-1600	The voltage is only DC24V, lower than human safe voltage(DC36V)
	2 sets 800 GPD pure water system, independent operation. If one was broken, the other also runs
	Working pressure of RO membrane < 70PSI (4.9kgf/cm <sup>2</sup> ), assure safety
	Floor space is only 0.5m <sup>2</sup> , save more room for laboratory
Competitive product	The voltage is above of AC380V/220V, dangerous for operator
	Only one system work. If going wrong, the machine could not work anymore
	Working pressure of RO membrane > 225PSI(15kgf/cm <sup>2</sup> ), dangerous for operator
	The floor space is very large, waste the room of laboratory

## ◆ Flow Schematic





## ◆ Specifications

Model	Medium-1600Q
Output(25°C)*	250 liters/hour
Pure water outlet	2: reverse osmosis water, deionized water
Deionized water quality	
Resistivity	10-18.2MΩ.cm
Bacteria	<0.1cfu/ml (with optional 0.2μm PES terminal filter)
Particle(>0.2μm)	<1/ml (with optional 0.2μm PES terminal filter)
RO water quality	
Ion rejection rate	96%-99% (new RO membrane)
Organic rejection rate	>99%, when MW>200 Dalton
Particles and bacteria , rejection rate	>99%
Feed water requirements	Tap water, temperature:5-45°C,pressure:1.0-4.0Kgf/cm <sup>2</sup>
Dimension and weight	Length×Width×Height:760×550×1210mm / Weight: about 85Kg
Electrical requirements	AC110-240V, 50/60Hz
Power	480W
Standard configuration	Main body (Including 1 set of cartridge)

### Remarks:

\*The value will be influenced by temperature and feed water's quality.



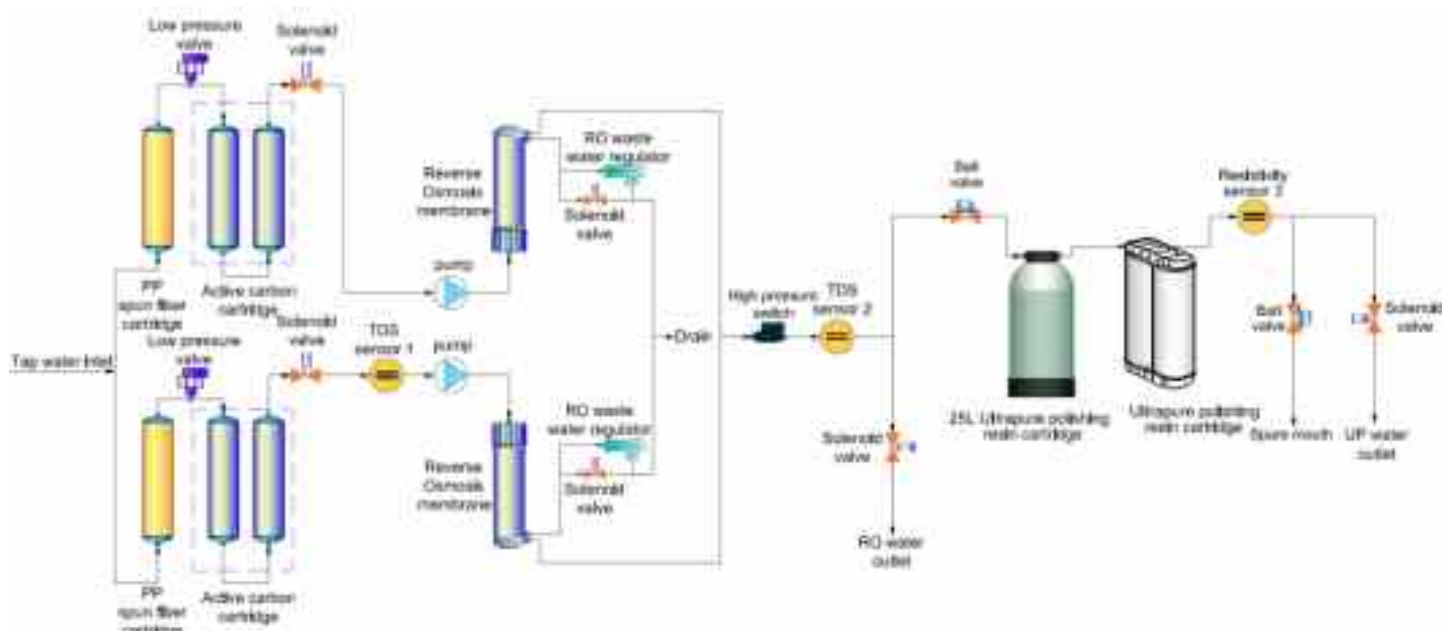
# Medium-1600S series Ultrapure water system (Tap water inlet)

- Medium-1600 series is nearly the smallest water system, with the same output-250 liters/hour. It meets the requirements of water for production and central water supply.
- Medium-1600S is ultrapure water system, with LCD controlling system, 2 way water quality sensor, timing and quality dispensing, stainless steel shell. The single stage RO water's ion rejection rate is more than 96%, and the ultrapure water's resistivity absolutely reaches to 18.2MΩ.cm. It completely meets the highest grade I standard of ASTM, CAP, CLSI, EP and USP.

## ◆ Features And Advantages

Medium-1600	The voltage is only DC24V, lower than human safe voltage(DC36V)
	2 sets 800 GPD pure water system, independent operation. If one was broken, the other also runs
	Working pressure of RO membrane < 70PSI (4.9kgf/cm <sup>2</sup> ), assure safety
	Floor space is only 0.5m <sup>2</sup> , save more room for laboratory
Competitive product	The voltage is above of AC380V/220V, dangerous for operator
	Only one system work. If going wrong, the machine could not work anymore
	Working pressure of RO membrane > 225PSI (15kgf/cm <sup>2</sup> ), dangerous for operator
	The floor space is very large, waste the room of laboratory

## ◆ Flow Schematic





## ◆ Specifications

Model	Medium-1600S
Output(25°C)*	250 liters/hour
Pure water outlet	2: reverse osmosis water, ultrapure water
Deionized water quality	
Resistivity	18.2MΩ.cm
TOC*	<10ppb
Bacteria	<0.1cfu/ml (with optional 0.2μm PES terminal filter)
Particle(>0.2μm)	<0.1cfu/ml (with optional 0.2μm PES terminal filter)
RO water quality	
Ion rejection rate	96%-99% (new RO membrane)
Organic rejection rate	>99%, when MW>200 Dalton
Particles and bacteria , rejection rate	>99%
Feed water requirements	Tap water, temperature:5-45°C,pressure:1.0-4.0Kgf/cm <sup>2</sup>
Dimension and weight	Length×Width×Height:760×550×1210mm / Weight: about 88Kg
Electrical requirements	AC110-240V, 50/60Hz
Power	480W
Standard configuration	Main body (Including 1 set of cartridge)

### Remarks:

\*The value will be influenced by temperature and feed water's quality.

