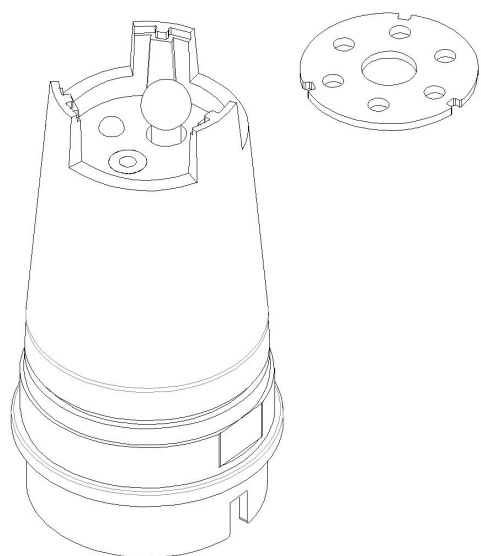


PH+ Pocket pH/mV Temp Tester Bluetooth series

Features

1. The tester can measure pH, ORP (ORP probe optional) and temperature simultaneously.
2. Cloud-based data management system – allows you to record, manage, and share your test data at your finger tip, never worry about data loss.
3. Comprehensive Information Display – 4 types of measurement display modes to fit in different situations.
4. The product can be used as a classic tester even without connecting to a smart phone.
5. Ability to add sample name, operator name in every data set.
6. Probe Replaceable.
7. IP rating: IP67.

Probe sensor with a protective shield



Specifications

pH	Range	-2.00 to 16.00 pH
	Resolution	0.01 pH
	Accuracy	±0.01 pH ± 1 digit
	Calibration Points	1 to 3 points
	Auto. Temperature Compensation	0 – 50 °C (32 – 122 °F)
mV (ORP probe optional)	Range	-1,000mV - +1,000mV
	Resolution	± 0.1/1mV
	Accuracy	±0.1% FS ±1digit
Temperature	Range	0 to 50 °C (32-122 °F)
	Accuracy	±0.2 °C
Packing including	<ol style="list-style-type: none"> 1. Meter (Probe and 4×1.5V AAA alkaline batteries preinstalled) 2. pH buffer solution: pH4.00/7.00/10.01, 30mL, one for each 3. 3.0 mol KCl pH/ORP soaking solution, 10mL, 1 bottle 4. Sample Vials 30mL: 3pcs 5. Lanyard: 1pc 6. Hard carrying case (L/W/H: 28.0×23.0×8.2cm) 	